

Stärker™ Specification

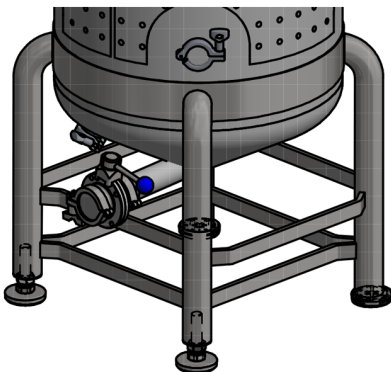
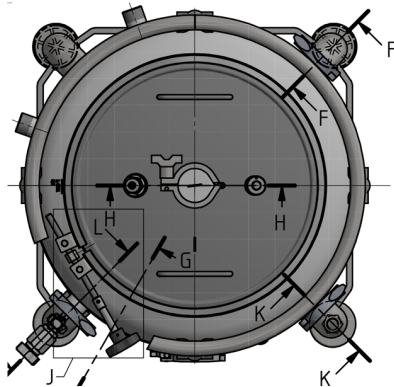
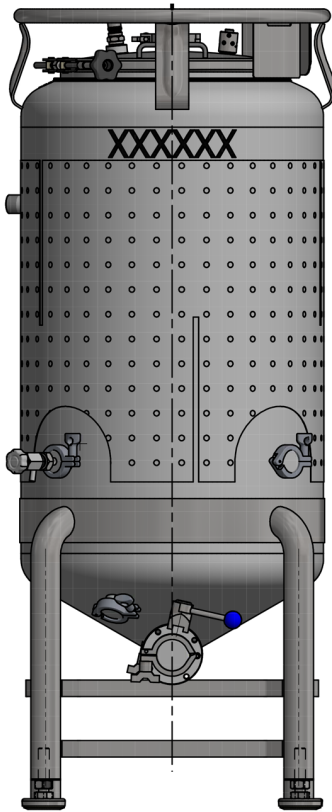
ASEPTIC CONTAINER

60 US/ Gal 225 Liter, 2.0 Bar Jacketed Container

Stärker™ Specification



**CORNERSTONE
STAINLESS
CONTAINERS**



MEASUREMENT

Total Height:

550 mm/21.65 inches

Outer Diameter:

1455 mm/57.28 inches

Height of Outlet:

282 mm/7.89 inches

Clearance:

95 mm/3.74 inches

Outlet Dimension:

NW 2"

Thicknesses of Sheets

Stacking Crown:

25 x 3mm/0.98 x 0.12 inches

Top bottom:

2 mm/ 0.08 inches

Cylindrical Jacket:

2 mm/0.08 inches

Conical Bottom:

2 mm/0.08 inches

Outlet:

2 mm/0.08 inches

Struts:

30 x 10 mm / 1.18x0.4 inches

MATERIAL

Container Parts which are in contact with product: 1.4301 2B cold rolled

Other Parts: 1.4301

Acc. To PED 2014/68/EU, DIN EN 10028-1 and DIN EN 10028-7

Surface Quality

Inner surface (main side), which is in contact with product acc. To DIN EN 10021 and DIN EN 10163-2

Gaskets

Manway Gasket DN 400: Silicone

Seal Collar of Butterfly Valve: Silicone

Screwing Gaskets: Perbunan

Other Parts

Foot close with nylon cap (PA6)

Manway gasket silicone

Foot close nylon cap PA6

TYPE PLATE

Volume:

225L

Owner:

Cornerstone Stainless Containers

Max Allowable Pressure:

3 Bar for Pillow Plate/2 Bar for

Vacuum:

inside

Test Pressure:

-0.15 Bar/-0.15 Bar

Max Allowable Temperature:

5.2 Bar /3.4 Bar

Serial Number:

-10 to 80 Celsius/-10 to 50 Celsius

Container Number TBD:

Year of Fabrication:

2019

Tare:

kg

Marking-CE:

EQUIPMENT

Manway lid dn400.

Pressure relief valve dn12.

Co2 valve dn12.

2" triclamp ferrule.

CONTROLS

Test pressure: 5.2 bar

for pillow, 3.4 bar for

inside.

Eu pressure regulation

WORKING CONDITIONS

Max pressure 3.0 for pillow plate, 2.0 for inside

Vacuum -0.15 bar

-10 to 80 Celsius for pillow plate, -10 to 50 Celsius for tank

Handling 4 sides for both forklift and pallet jack

Stack 3 empty, 2 full



Cornerstone Stainless Containers
Address: 23515 NE Novelty Hill Rd Suite
B221-340 Redmond, WA 98053

Call: 425-686-4455

Website: www.cornerstonestainlesscontainers.com

Email: sales@cornerstonestainlesscontainers.com