

# Stärker™ Specification

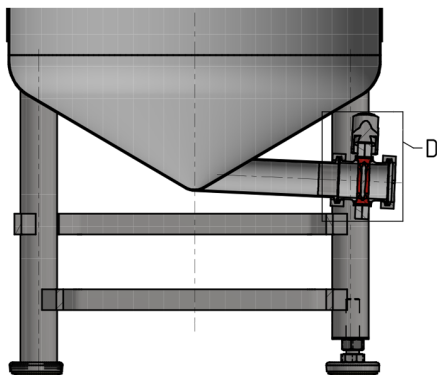
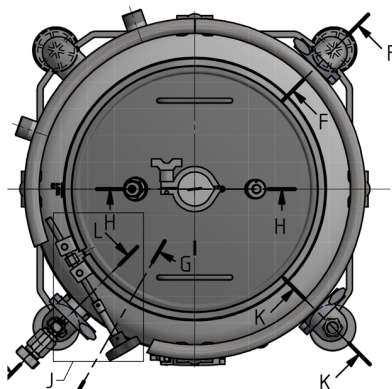
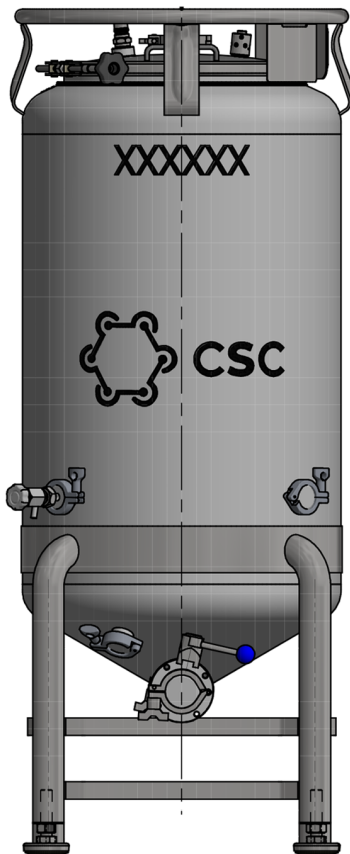
## ASEPTIC CONTAINER

60 US /Gal 225 Liter, 2.0 Bar Single Wall Container

## Stärker™ Specification



**CORNERSTONE  
STAINLESS  
CONTAINERS**



### MEASUREMENT

<b>Outside diameter of container:</b>	550 mm/21.65 inches
<b>Total height:</b>	1455 mm/57.28 inches
<b>Outlet Height:</b>	282 mm/7.89 inches
<b>Clearance:</b>	95 mm/3.74 inches
<b>Outlet Dimension:</b>	NW 2"
<b>Thickness of Sheets</b>	
<b>Stacking Crown :</b>	25 x 3mm/0.98x0.12 inches
<b>Top bottom:</b>	2 mm/ 0.08 inches
<b>Cylindrical Jacket:</b>	2 mm/0.08 inches
<b>Conical Bottom:</b>	2 mm/0.08 inches
<b>Outlet:</b>	2 mm/0.08 inches
<b>Struts:</b>	30 x 10 mm / 1.18x0.4 inches

### MATERIAL

Container Parts which are in contact with product: 1.4301 2B cold-rolled

**Other Parts:** 1.4301

Acc. To PED 2014/68/EU, DIN EN 10028-1 and DIN EN 10028-7

### Surface Quality

Inner surface (mainside), which is in contact with product acc. To DIN EN 10021 and DIN EN 10163-2

### Gaskets

Manway Gasket DN 400: Silicone

Seal Collar of Butterfly Valve: Silicone

Screwing Gaskets: Perbunan

### Other Parts

Foot close with nylon cap (PA6)



### TYPE PLATE

<b>Volume :</b>	225L
<b>Owner:</b>	Cornerstone Stainless Containers
<b>Max Allowable Pressure:</b>	2 Bar
<b>Vacuum:</b>	-0.15 Bar
<b>Test Pressure:</b>	3.4 Bar
<b>Max Allowable Temperature:</b>	-10 to 80 Celsius/-10 to 50 Celsius
<b>Serial Number:</b>	
<b>Container Number TBD:</b>	
<b>Year of Fabrication:</b>	2019
<b>Tare:</b>	kg
<b>Marking-CE:</b>	

### EQUIPMENT

Manway lid dn400.

Pressure relief valve dn12.

Co2 valve dn12.

2" triclamp ferrule.

### CONTROLS

**Test pressure:** 3.4 bar

Eu pressure regulations

### WORKING CONDITIONS

**Max pressure:** 2.0 bar

**Vacuum:** -0.15 bar

-10 celsius to 50 celcius

Handling 4 sides with forklift and pallet jack

Stack 3 empty, 2 full



**Cornerstone Stainless Containers**  
**Address:** 23515 NE Novelty Hill Rd Suite  
B221-340 Redmond, WA 98053

**Call:** 425-686-4455

**Website:** [www.cornerstonestainlesscontainers.com](http://www.cornerstonestainlesscontainers.com)

**Email:** [sales@cornerstonestainlesscontainers.com](mailto:sales@cornerstonestainlesscontainers.com)